

Hand-lever grease gun

As per DIN 1283-H-500

Industrial grease gun ELITE K9

Industrial grease gun 1 and 2

Standard grease gun



Contents

1.	General details	2
1.1	Intended use	2
1.2	Design and functional description	2
1.3	Technical data	3
1.4	Area of application	3
2.	General safety instructions	3
2.1	Information on safety at work	3
2.2	Explanation of the safety instructions which apply	3
2.3	Hazards when handling the grease gun	4
3.	Assembly	4
4.	First use and recommissioning	4
4.1	Filling the grease gun	4
4.1.1.	Filling using a grease gun filling unit	4
4.1.2.	Filling with a grease cartridge as per DIN 1284	5
4.2	Preparation for use	6
5.	Operation	6
6.	Care/Maintenance	7
7.	Replacement parts/accessories	7
8.	Repair/service	8
9.	Manufacturer's declaration	9

1. General details

1.1 Intended use

The grease gun is designed exclusively for the delivery of grease lubricants.

Intended use includes compliance with the contents of the operating instructions.

Any use beyond this (other materials, the use of force) or arbitrary modification (conversion, failure to use original accessories) may result in hazards, and is deemed to be outside the intended use.

The operator is responsible for damages resulting from use other than the intended use.

1.2 Design and functional description

The grease gun is equipped with a spring-loaded sealing sleeve to support the grease delivery.

The grease gun can be fitted with a very wide range of accessories (PRESSOL parts).

The grease gun is available in the following models:

- Industrial grease gun Elite K9
- Industrial grease gun 1 / 2
- Standard grease gun

1.3 Technical data

Grease gun	Industrial grease gun ELITE K9	Industrial grease gun 1 and 2	Standard grease gun
Diameter of grease pump piston:	9 mm	9 mm	8 mm
Supply volume/stroke:	1,4 cm ³	1,4 cm ³	1,2 cm ³
Supply pressure:	up to 400 bar	up to 400 bar	up to 400 bar
Grease gun discharge connection:	M 10 x 1 or G 1/8"	M 10 x 1 or G 1/8"	M 10 x 1 or G 1/8"
Bursting pressure (system):	850 bar	850 bar	850 bar
Bursting pressure (grease gun head):	1200 bar	1200 bar	1200 bar
Capacity:	500 cm ³	500 cm ³	500 cm ³
Filling options:	400-g grease cartridge (DIN 1284) unpacked grease Grease gun filling unit	4400-g grease cartridge (DIN 1284) unpacked grease Grease gun filling unit	400-g grease cartridge (DIN 1284) unpacked grease Grease gun filling unit

Table 1-1: Technical data

1.4 Area of application

The grease gun is suitable for supplying lubricant greases up to viscosity class NLGI 2 under pressure.

The grease gun can be filled using a commercially available grease cartridge which complies with DIN 1284, with unpacked grease, or using a grease gun filling unit.

2. General safety instructions

2.1 Information on safety at work


The grease gun has been designed and constructed in compliance with the applicable safety and health requirements of the relevant EU directives.

However, hazards may result from this product if it is not used for its intended purpose or with the necessary care.


In every case, local safety and accident prevention regulations apply, as well as the safety instructions in the operating instructions.

2.2 Explanation of the safety instructions which apply

The safety instructions used in these operating instructions are divided into various levels of hazard. Various levels of hazard are indicated in the instructions with the following keywords and pictograms:

Pictogram	Keyword	Consequences of failure to comply with the safety instructions.
	Attention!	Possible light or moderate bodily injury or material damage.

In addition, a further instruction is used which gives general tips for handling the product.

Pictogram	Keyword	Meaning
	Note	Background knowledge or tips on the right way of using the product.

2.3 Hazards when handling the grease gun



Attention!

Excess pressure can result in the bursting of the grease gun head and accessories

- Do not use force when actuating the hand lever.
- Do not use an extension or other auxiliary.
- Do not exceed the working pressures given in section 1.3.
- Use only original accessories compliant with DIN 1283.



Attention!

Excess pressure at the greasing point can damage the grease nipple, bearings, and even the machine!

- Do not exceed the working pressures given in section 1.3.
- Comply with the machine manufacturer's maintenance and service instructions.



Attention!

Defective accessories can lead to personal injury and material damage!

- High pressure hoses must not be kinked, twisted, or stretched.
- During their period of use, accessories must be checked for wear, cracks, and other damage.
- Defective accessories should be replaced immediately
- The period of use for connecting hoses is a maximum of 6 years after the date of manufacture (see hose labelling).

3. Assembly

The grease gun is already assembled as supplied.

Depending on the model, accessories can or must be fitted.



Note

When fitting accessories, ensure cleanliness and that the accessory makes a perfect connection to the grease gun.

Use suitable sealants and adhesives (e.g. Teflon tape).

4. First use and recommissioning

Check the grease gun and fitted accessories for completeness.

4.1 Filling the grease gun

There are various filling options for the grease gun.

- Filling using a grease gun filling unit
- Filling with a grease cartridge as per DIN 1284
- Fill with unpacked grease using a spatula.

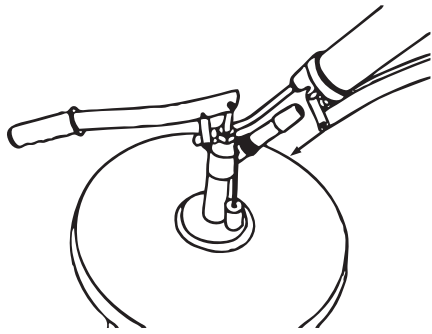
4.1.1 Filling using a grease gun filling unit



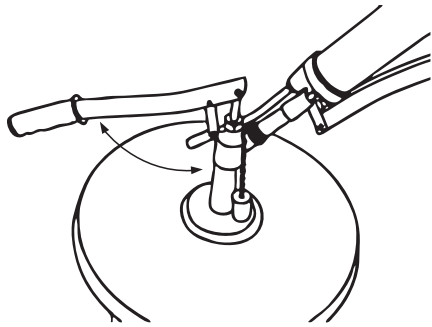
Attention!

Do not open the grease gun when it is under pressure!

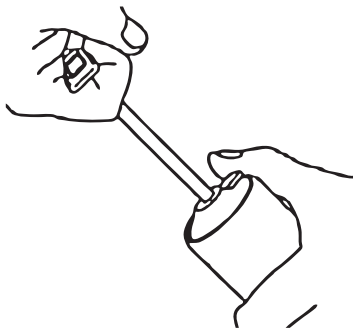
- Every time that the grease gun head and cylinder are to be separated, the push rod must be fully retracted and automatically locked by means of the safety catch.



Place the grease gun onto the filling valve of the grease gun filling unit, and hold it in place with light counter pressure.



Fill the grease gun by activating the filling unit. Filling may cause the push rod to be pushed out of the grease gun cylinder.



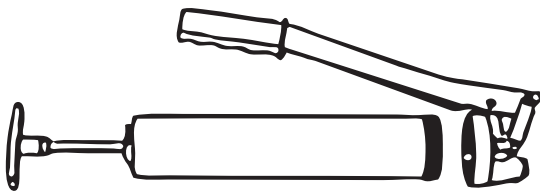
While pulling on the push rod, activate the safety catch and push the push rod back into the cylinder.

4.1.2 Filling with a grease cartridge as per DIN 1284

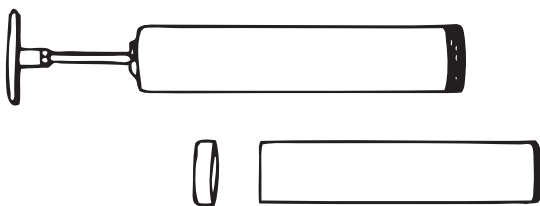
Attention!

Do not open the grease gun when it is under pressure!

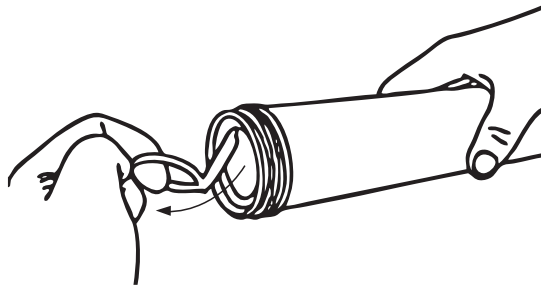
- Every time that the grease gun head and cylinder are to be separated, the push rod must be fully retracted and automatically locked by means of the safety catch.



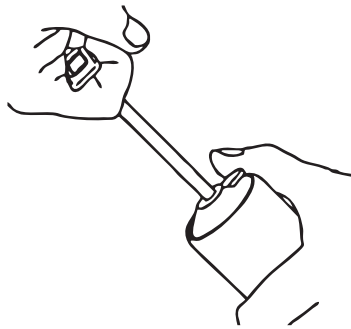
Pull back the push rod and unscrew the grease gun head.



Remove the sealing cap from the full cartridge, and guide this into the grease gun cylinder.



Only then tear off the cartridge's „pull-off“ closure and screw on the grease gun head.

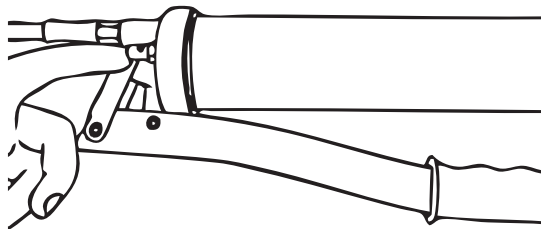


Pull on the push rod, actuate the safety catch, and push the push rod back into the cylinder.

4.2 Preparation for use

i Note

Check that the grease gun head and cylinder are tightly screwed together.



Remove air from the grease-containing section via the combined filling / air removal nipple on the grease gun head by loosening the gun head and cylinder (half a turn maximum) or by repeatedly actuating the hand lever.

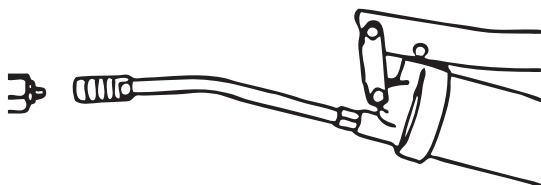
The grease gun is now ready for use.

5. Operation

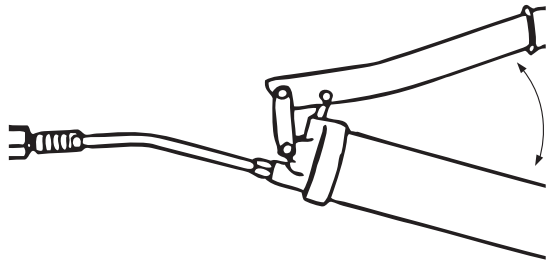
! Attention!

Excess pressure can result in the bursting of the grease gun head and equipment!

- When using the grease gun, use suitable equipment such as protective gloves and eye protection.



Position the grease gun with the hydraulic mouthpiece onto the grease nipple.



Actuate the hand lever to carry out the greasing process.

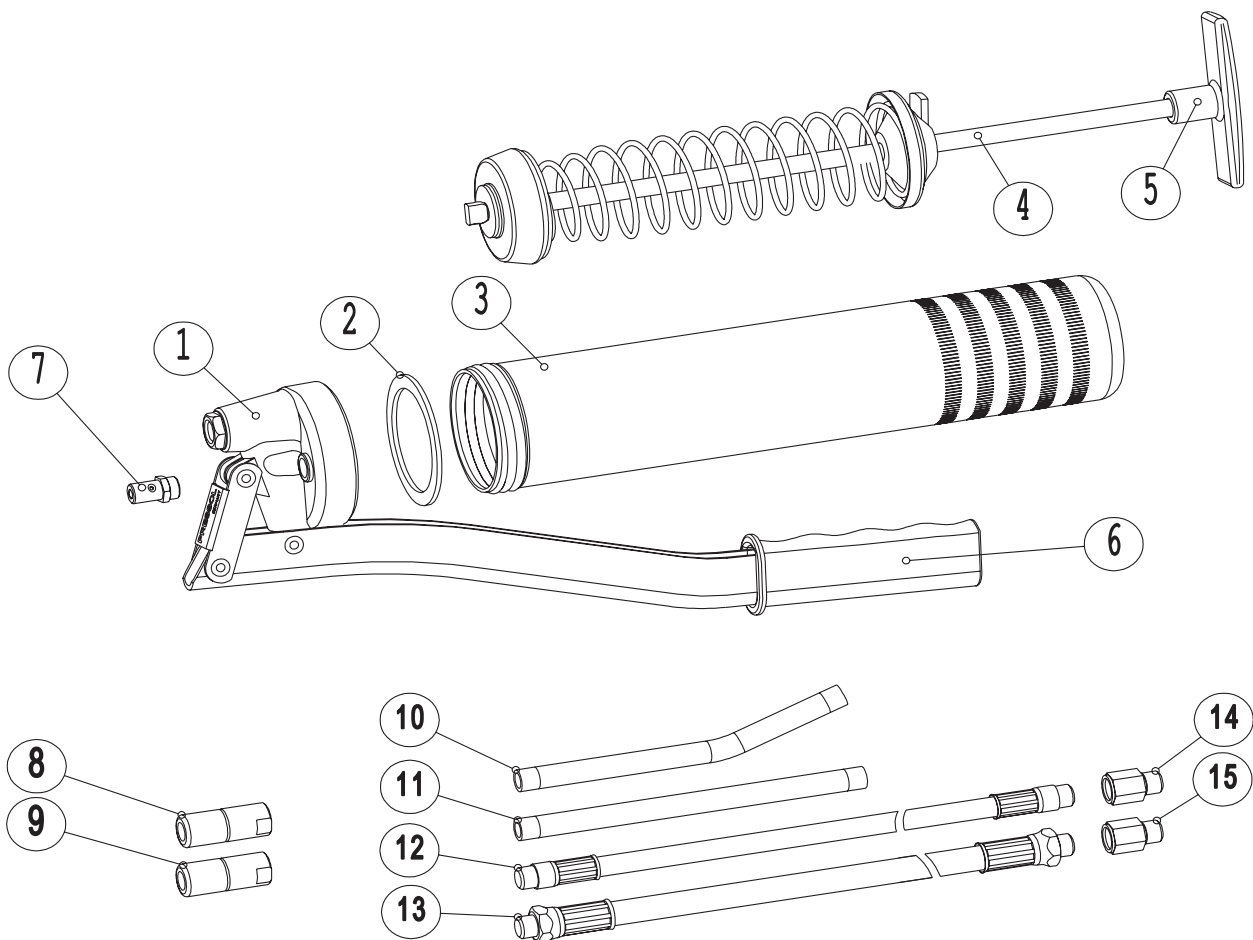
6. Care/Maintenance

In principle, the hand-lever grease gun needs little care and maintenance

Because of operator responsibility, the following parts must be checked regularly in order to avoid environmental, material, or personal damage.

- Grease gun head
- Screwed connections
- Accessories (hoses, mouthpieces, etc.)

7. Replacement parts/accessories



Replacement parts list

Item	Description		ELITE K 9	Industrial 1	Industrial 2	Standard
1	Head complete with lever	M 10 x 1	00 535	87 700	87 700	00581
		G 1/8"	---	87 701	---	00581
2	Seal		00442	00 442	00 442	00 442
3	Cylinder, 500 ccm		00 677	00 361	87 240	00 361
4	Push rod complete		00 538	00 443	01 991	00 443
5	Push rod handle		00 219	---	02 740	---
6	Handle		87 084	87 084	87 084	87 084
7	Filling nipple		12 670	12 670	12 670	12 670

Accessories as per DIN 1283

(extract from the PRESSOL range of accessories)

Item	Description		M 10 x 1	G 1/8"
8	Hydraulic couple		12 631	12 731
9	Precision machined coupler		12 643	12 743
10	Spout, angled		12 635	12 735
11	Spout, straight		12 435	12 475
12	High pressure hose, 8 x 300 mm		12 656	12 756
13	High pressure hose, 11 x 300 mm		12 655	12 755
14	Adapter, G 1/8" i; M 10 x 1 a	12 016		
15	Adapter, G 1/8" a; M 10 x 1 i	12 086		

8. Repair/service

The grease gun was developed and manufactured under compliance with the highest quality standards.

If in spite of all quality measures a problem occurs, please get in touch with our service contact partners:

PRESSOL Schmiergeräte GmbH

Tel +49 9462 17-216

Fax +49 9462 1063

service@pressol.com

9. Manufacturer's declaration

We hereby state that the equipment described below, in the model which we have made commercially available, complies in its design and construction with the applicable requirements. If the equipment is used other than for its intended purpose, this declaration loses its validity.

Equipment	Grease gun
Type	Industrial grease gun ELITE K9 Industrial grease guns 1 and 2 Standard grease gun
Applicable directive	89/392/EU annex IIA
Applicable standards	DIN 1283

24.10.2012

FMT Swiss AG



Dipl.-Ing. Rudolf Schlenker

Pressol Schmiergeräte GmbH

Parkstraße 7

93167 Falkenstein | Germany

Tel. +49 9462 17-0

Fax +49 9462 17-208

info@pressol.com

www.pressol.com

